

Procedure is recommended to be carried out in the workshop

<u>PARTS REQUIRED NUMBER</u>		<u>SL PART</u>
1.	LOCTITE 460 INSTANT ADHESIVE	403-20
2.	SOUND LEISURE DAMPER.	403-19
3.	No 10 TORX DRIVER	
4.	No 6 TORX DRIVER	
5.	SMALL POZI JEWELLERS SCREWDRIVER	

Note Before proceeding with the following instructions all metal work surrounding the laser player requires removing, so you are left with the basic player and its control board.

Please note you have the responsibility to disassemble and reassemble the metalwork around the laser correctly.

PROCEDURE

- A. REMOVE BLACK PROTECTIVE COVER OVER FOCUS ASSEMBLY
(This can be done with a No 6 Torx driver or on some lasers a small pozi jeweler screwdriver)

There are two versions of the CDM12 laser player.

CDM12 Industrial, To access the protective cover fixing screws the servo control board needs removing first (use No 10 Torx driver). Then use a small pozi jewelers screwdriver to remove protective cover.

CDM12 PRO, For this laser the servo control board does not need removing to gain access to the protective cover fixing screws as this is via the outside of the laser (use a No 6 Torx driver).

- B. Apply adhesive in between the two holes on the focus assembly.
- C. Check to see if one face of the damper has a slight adhesion if so use this face of the damper to bond to the adhesive used focus assembly.
- D. The damper can be applied to the adhesive immediately.

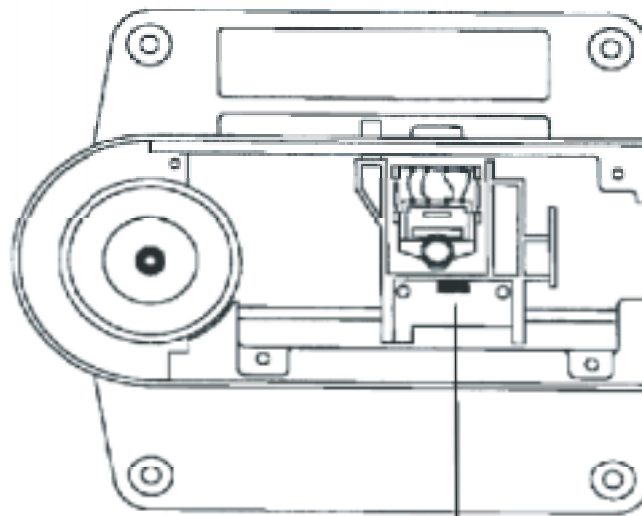
- E. The damper is applied face down and 'not' on its side.
- F. Wait 15-minuts before securing protective cover back in place.
- G. Ensure the side of the damper is pushed firmly against the focus assembly housing as shown in diagram-1.

ATTENTION:

**WASH YOUR HANDS BEFORE EVERY BREAK AND AT THE END OF WORK TIME.
BE SURE NO ADHESIVE IS ON ANY OTHER SURFACE OF THE DAMPER OTHER THAN
ITS BASE.**

ENSURE THE PROTECTIVE COVER OVER THE FOCUS ASSEMBLY IS NOT DAMAGED.

DIAGRAM 1



Damper mounted between
two holes on focus assy

IMPORTANT

MAKE SURE YOUR CD MECHANISM IS FITTED WITH A DUST COVER.

ENSURE YOUR CD's. ARE IN REASONABLE CONDITION

MAKE SURE THE LASER PLAYER IS SETUP CORRECTLY FOR ALIGNMENT

FOCUS ASSEMBLY PART NUMBER 403-17