

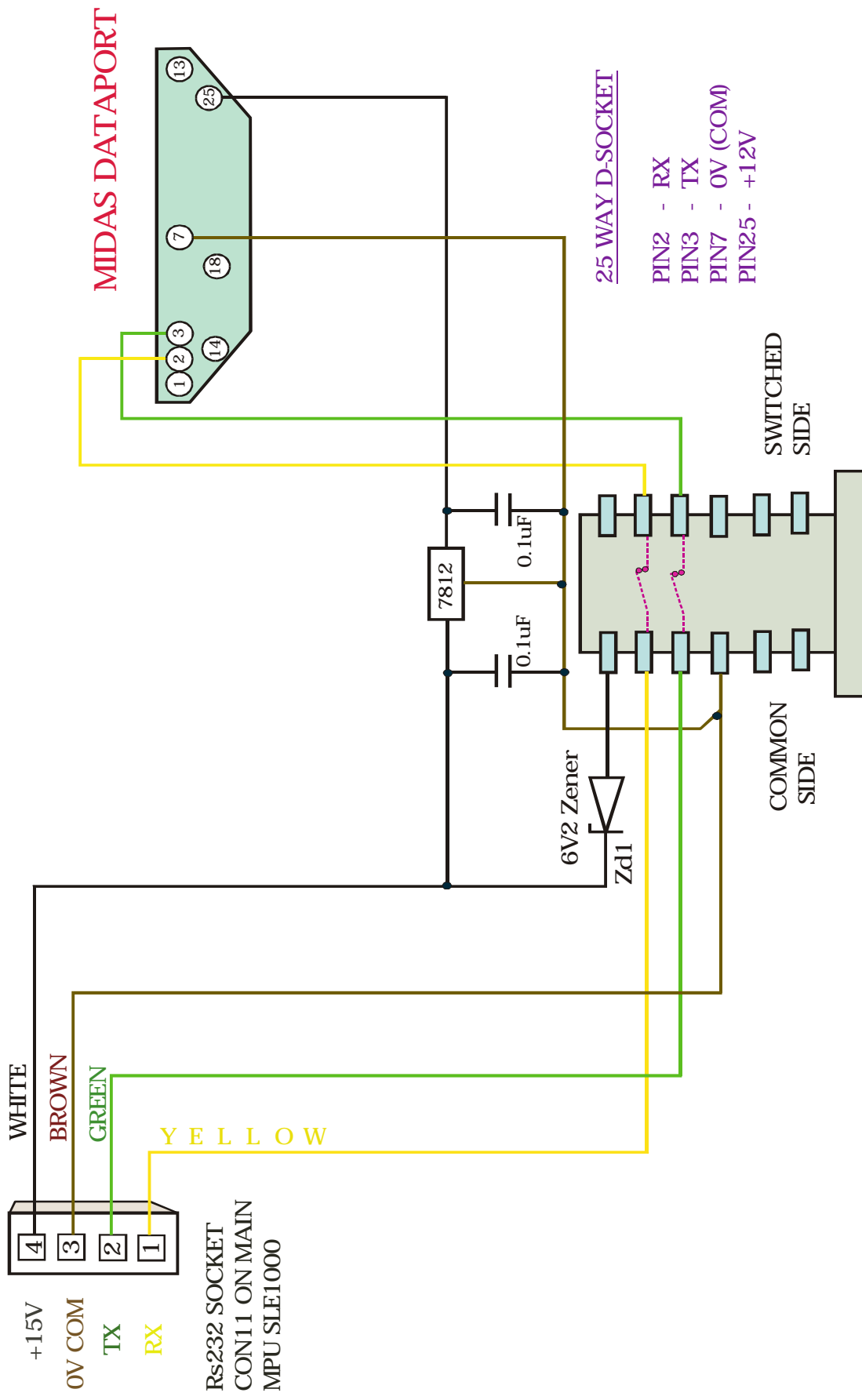
INSTRUCTIONS FOR FITTING MIDAS UNIT TO 21<sup>st</sup> CENTURY EQUIPMENT

Parts Required:-	Wiring Harness	Part No	89901-23
Eprom	33.93a	For 30 Player	
	66.93a	For 60 Player	
	88.93a	For 80 Player	
	Use Midas Slave AWP	Supplier	MHG

**Method:-**

1. Install wiring harness, connecting the white 4-way plug into socket **CON11 RS232** on the **SLE1000** board
2. Connect Midas unit to the other end of the harness i.e. Data Port (**25 Way 'D' connector**) **25**
3. Remove the metal lid on the **SLE1000** board to reveal **Eprom**.
4. Remove old **Eprom** and replace with the appropriate **Eprom** listed above.  
(Care should be taken to insert the **Eprom** correctly)
5. Replace metal lid over **Eprom** housing
6. Go into the program at **Menu 5 Level 5** and add **+8** to the existing value already in this location.

# SOUND LEISURE MIDAS DATAPORT/PSION 21<sup>ST</sup> CENTURY WIRING DIAGRAM



PSION DATAPORT