



soundleisure

Connecting Sound Leisure jukeboxes to remote selectors and secondary devices

Contents

1. Jukebox Connection Matrix
2. Wiring CAT 5 Cables
3. Connecting a Single Remote Selector or Secondary Device
4. Connecting Two or more Remote Selectors or Secondary Devices
5. Connecting SL Digital Audio Jukebox to IND:E Games Terminal

For additional help or information please contact Sound Leisure's
Digitech department on:

ph: 0845 2301775
email: digitech@soundleisure.com



JUKEBOX CONNECTION MATRIX

Sound Leisure Digital Jukeboxes can be connected to any number of remote selectors as well as additional products such as the DJ Remote Unit or the Ind:e games machine.

The following chart gives details of the type of cable and additional equipment required to connect any combination of units. First find your main jukebox product from the column on the left then trace across horizontally to the products(s) to be connected to it.

IMPORTANT NOTE

AS FROM JULY 2005 ALL SOUND LEISURE JUKEBOX PC'S WILL OPERATE ON WINDOWS XP OPERATING SYSTEM. **ANY MAIN JUKEBOX OR REMOTE DEVICE RUNNING ON WINDOWS XP WILL ALWAYS REQUIRE A ROUTER AND STRAIGHT THROUGH CABLES IN ORDER TO ESTABLISH A CONNECTION. A ROUTER IS NOT REQUIRED ONLY WHEN ALL DEVICES ARE RUNNING ON THE WINDOWS 98 OPERATING SYSTEM.**

	One Remote Device	Two or more Remote Devices	DJ Unit	Ind:e Box
VIDEO STANDARD (Win 98) Video Surfer Video Surfer Kiosk Showtime	1 Cross Over CAT5. Double Screen remote selector will require AV cable	3 Straight Through CAT 5 Cables and router Double Screen remote selector will require AV cable	1 Cross Over CAT 5 Cable.	Not Currently Available
AUDIO STANDARD (Win 98) Sound Surfer Sound Surfer Kiosk Music On Line Music Post Digitracks Super Stars	1 Cross Over CAT5.	3 Straight Through CAT 5 Cables and router	1 Cross Over CAT 5 Cable.	2 Straight Through CAT 5 Cables and router
VIDEO STANDARD OR AUDIO STANDARD (Win XP)	2 Straight Through CAT 5 Cables and router Remote selector must run on Windows XP	3 Straight Through CAT 5 Cables and router Remote selectors must run on Windows XP	2 Straight Through CAT 5 Cables and router Remote selector must run on Windows XP	AVAILABLE FOR AUDIO JUKEBOX ONLY 3 Straight Through CAT 5 Cables and router
A/V COMBI (Win xp) Music Post AV Regency AV	2 Straight Through CAT 5 Cables and router Remote selector must run on Windows XP	3 Straight Through CAT 5 Cables and router Remote selector must run on Windows XP	Not Currently Available	Not Currently Available
VVS (Win XP) Browser Music Express VVS Rack Mount VVS Kiosk II	2 Straight Through CAT 5 Cables and router Remote selector must run on Windows XP	3 Straight Through CAT 5 Cables and router Remote selector must run on Windows XP	Not Currently Available	Not Currently Available

Sound Leisure recommends the following router:

Linksys EtherFast Cable DSL

Order part number 60604-34, £50.00 from Sound Leisure.

www.soundleisure.com



WIRING CAT 5 CABLES

Sound Leisure digital jukeboxes can be connected to a variety of additional units. There are a full range of remote selectors available, any number of which can be connected to a main jukebox, along with ancillary devices such as Sound Leisure's DJ console and the Ind:e games console.

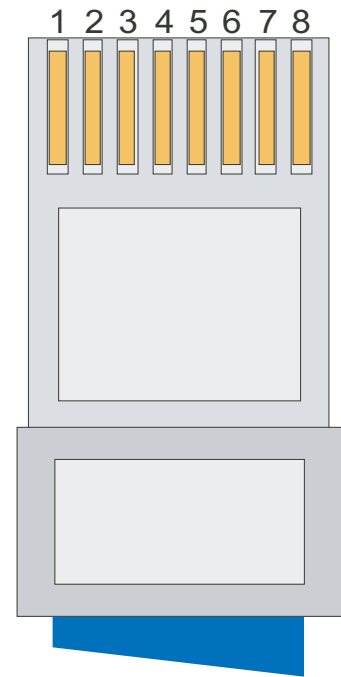
Any device connected to a Sound Leisure main jukebox will require a category 5 network cable to connect the remote machine to the main jukeboxes.

Depending on the type of machine to be connected and the number of machines to be connected to the main jukebox, either a 'straight through' or 'Cross Over' cable will be required. If two units or more are to be connected to any jukebox an additional 'router' will always be required.

Consult the '**jukebox connection Matrix**' info sheet for details of which cables are required to connect any combination of Sound Leisure Jukeboxes. This can be downloaded from the Digital section Sound Leisure's 'Support' pages, online at www.soundleisure.com.

RJ 45 PIN NUMBERS.

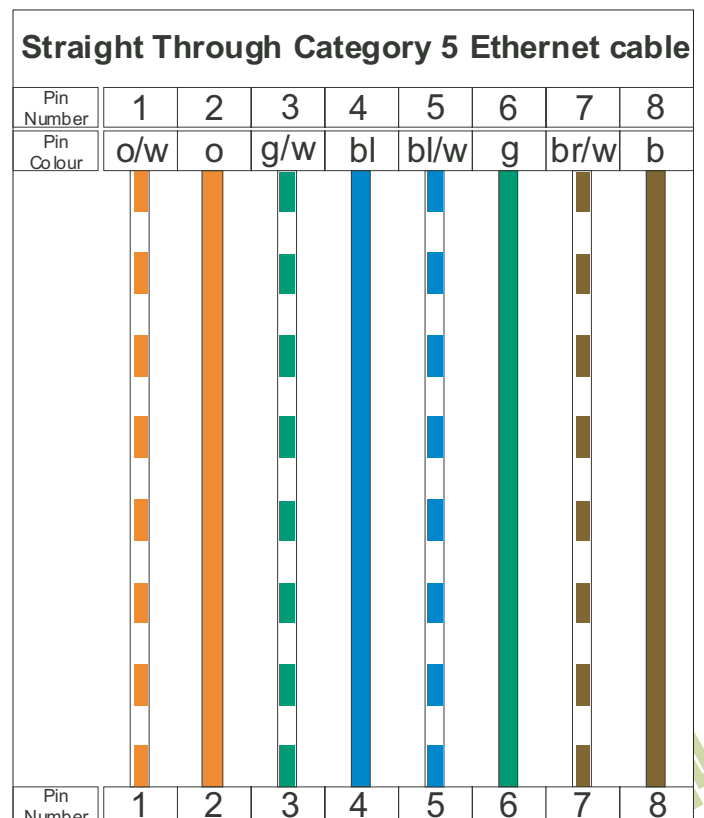
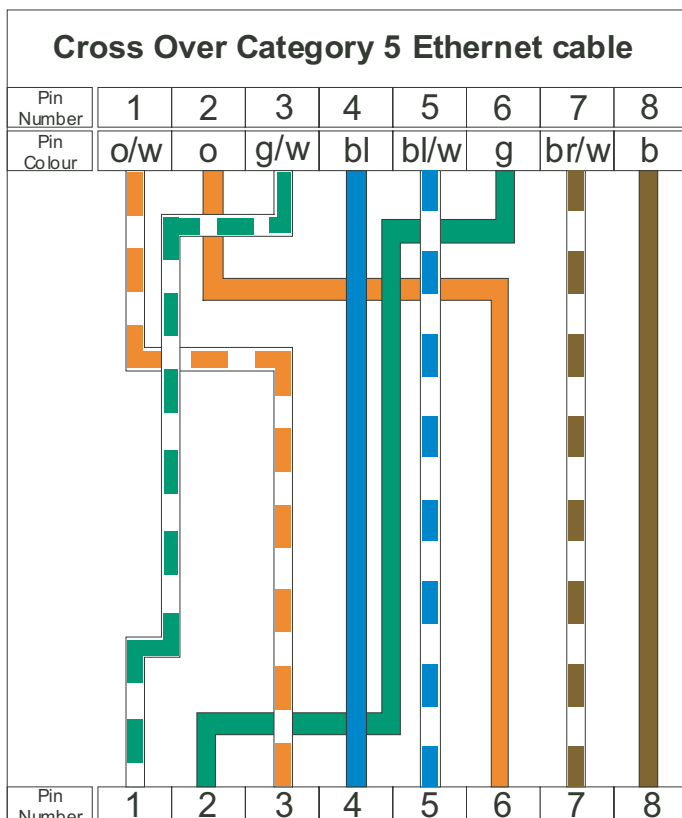
Hold the plug as shown below with the contacts facing up and the retaining clip underneath.



IMPORTANT NOTE

CAT5 cables MUST be wired exactly as shown below. CAT 5 relies on twisted pairs of cables to maintain signal strength. Arranging the individual wires in ANY alternative combinations will result in poor signal quality or total loss of signal quality, under which circumstances the jukebox will not connect to the secondary device.

CAT5 CABLE WIRING DETAILS



CONNECTING A SINGLE REMOTE SELECTOR OR SECONDARY DEVICE

The process for connecting a single remote selector or secondary device varies depending on the operating system running on the devices. ANY Sound Leisure product manufactured from July 2005 runs on the Windows XP operating system and therefore requires a router to connect it to any secondary device. A router is NOT required ONLY when both devices are running Windows 98 operating system.

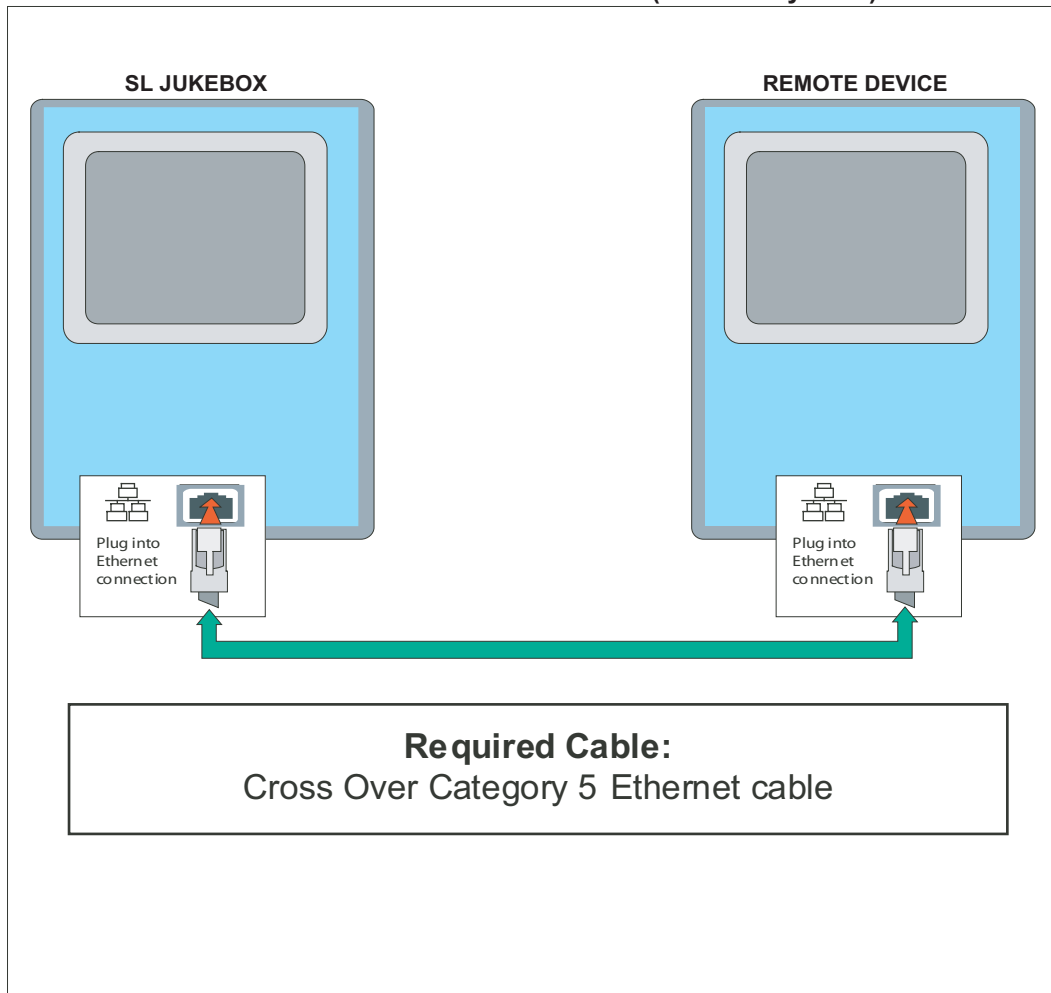


IMPORTANT NOTE

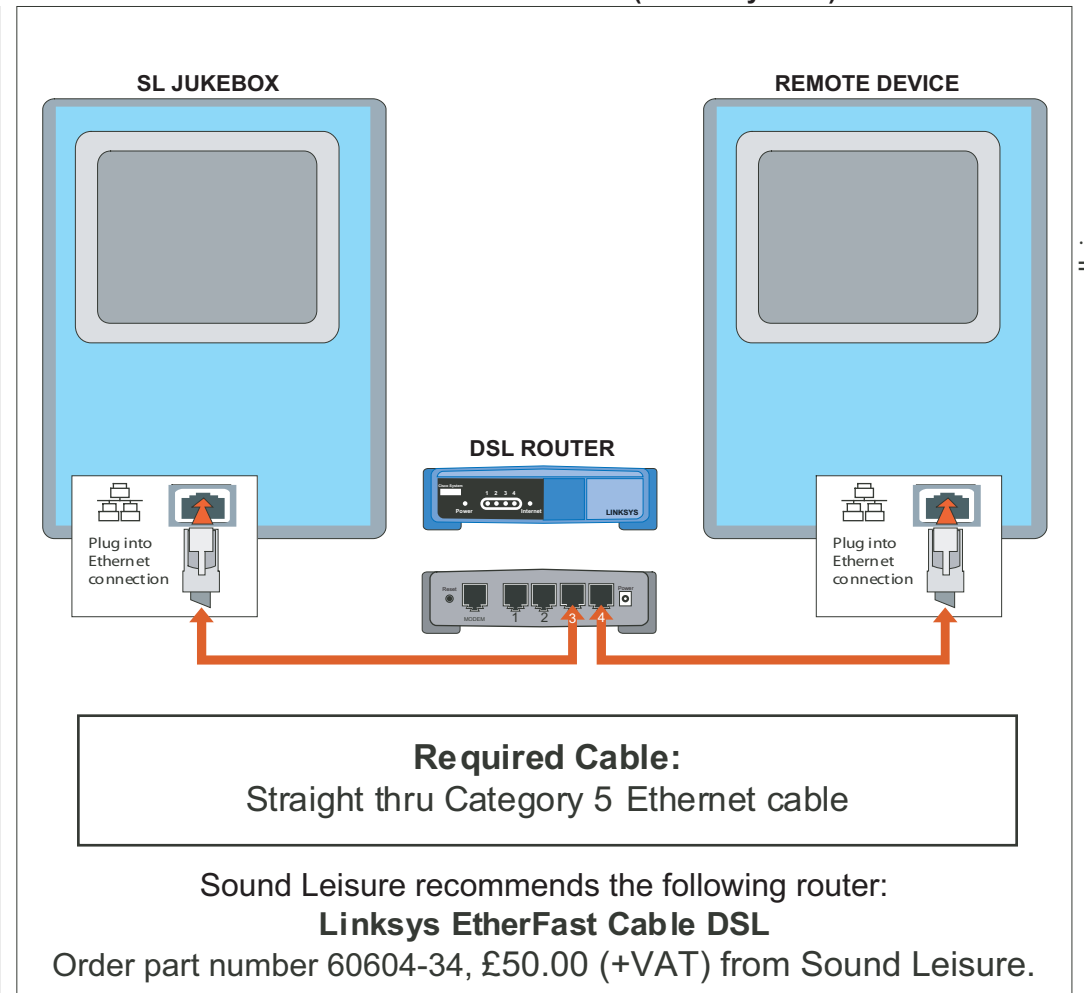
CAT 5 cables MUST be made up exactly as detailed in the 'Wiring CAT 5 cables' info sheet which can be downloaded from the support section of Sound Leisure's web site: www.soundleisure.com

CAT 5 relies on twisted pairs of cables to maintain signal strength, connections in any other configuration will not work!

WINDOWS 98 version (before July 2005)



WINDOWS XP version (from July 2005)



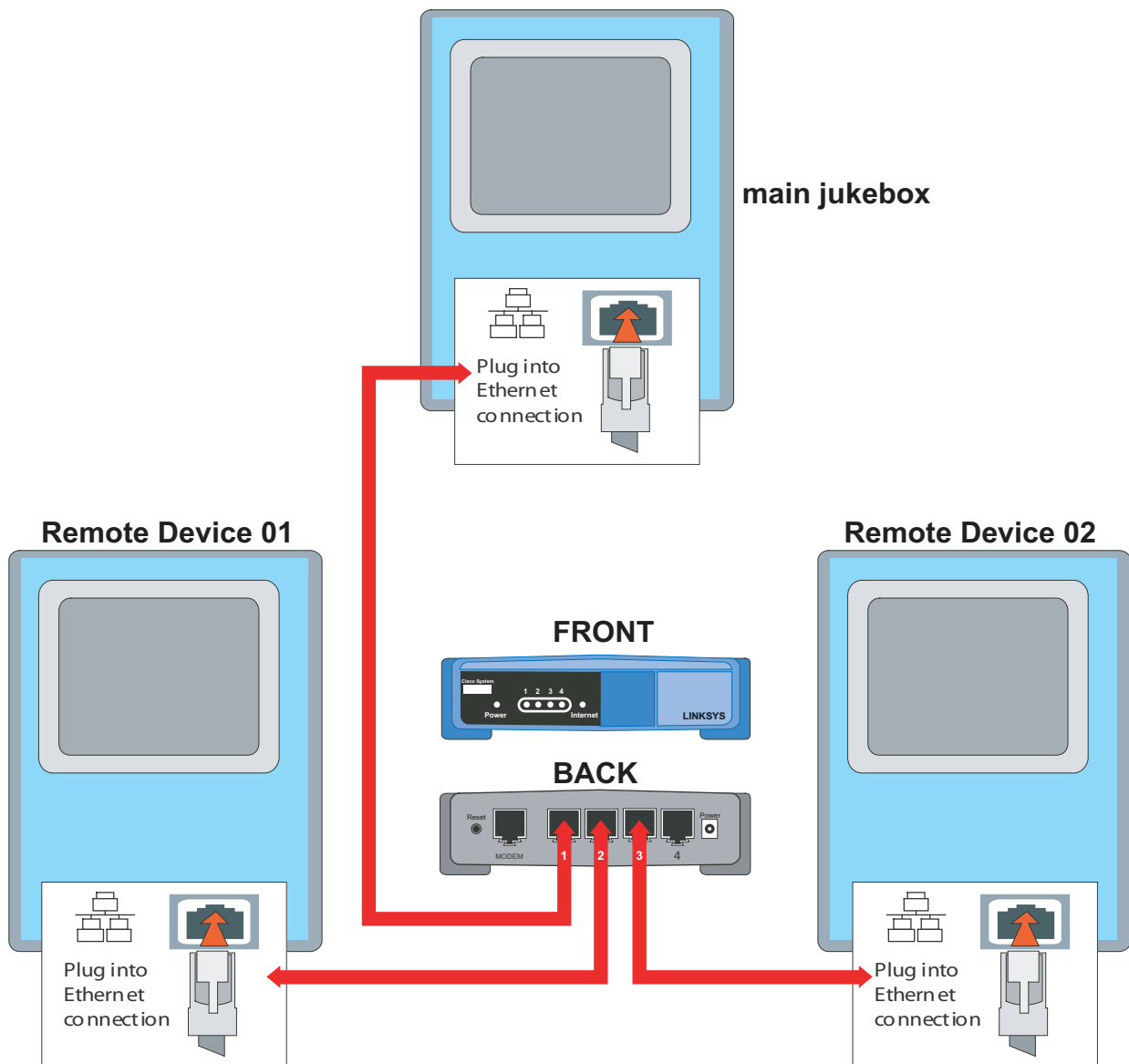
CONNECTING TWO OR MORE REMOTE SELECTORS OR SECONDARY DEVICES

Please follow the instructions below to connect a Sound Leisure main jukebox to more than one additional remote selector or secondary device (eg DJ console).

IMPORTANT NOTE

CAT 5 cables MUST be made up exactly as detailed in the 'Wiring CAT 5 cables' info sheet which can be downloaded from the support section of Sound Leisure's web site: www.soundleisure.com

CAT 5 relies on twisted pairs of cables to maintain signal strength, connections in any other configuration will not work!



Required Cable:
Straight thru Category 5 Ethernet cable

Sound Leisure recommends the following router:
Linksys EtherFast Cable DSL
Order part number 60604-34, £50.00 (+VAT) from Sound Leisure.

CONNECTING A SL DIGITAL AUDIO JUKEBOX >> IND:E GAMES TERMINAL

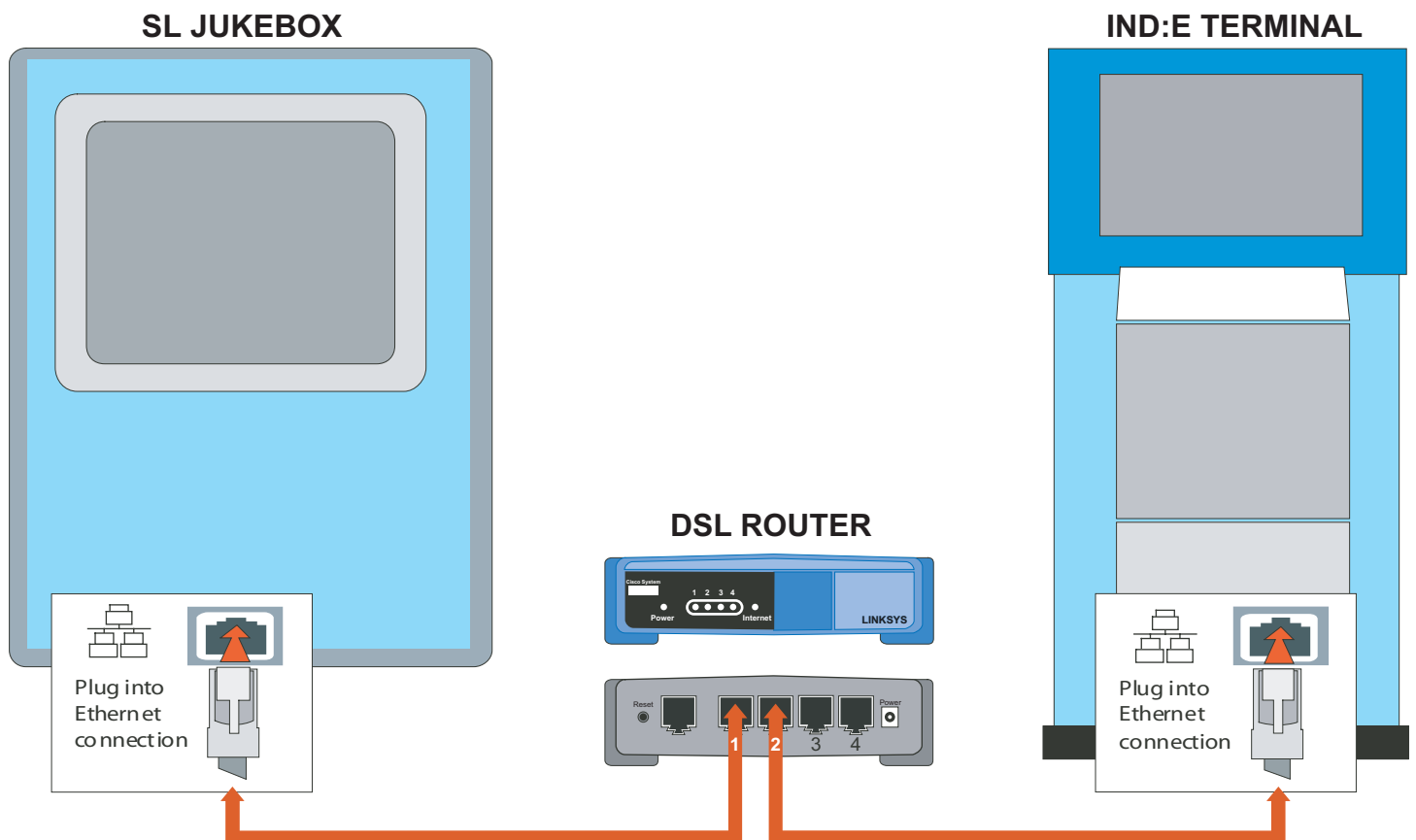
Please follow the instructions below to connect an IND:E terminal to a Sound Leisure Audio Jukebox. It is essential the machine is wired via a router using a 'straight through' CAT 5 Ethernet cable.

IMPORTANT NOTE

CAT 5 cables MUST be made up exactly as detailed in the 'Wiring CAT 5 cables' info sheet which can be downloaded from the support section of Sound Leisure's web site: www.soundleisure.com

CAT 5 relies on twisted pairs of cables to maintain signal strength, connections in any other configuration will not work!

For connection to a IND:E terminal the program version MUST be V4.4 or later.



Required Cable:
Straight thru Category 5 Ethernet cable

Sound Leisure recommends the following router:
Linksys EtherFast Cable DSL
Order part number 60604-34, £50.00 (+VAT) from Sound Leisure.